



Grid Pad 12

HeadMouse Nano
installation guide





HeadMouse Nano ©2016 Copyright by Origin Instruments Corporation. All rights reserved. HeadMouse is a registered trademark of Origin Instruments Corporation.

Document: Headmouse Nano Mount Grid Pad 12 - Guide - UK - B
Language: English
Date of issue: May 2021

Copyright © 2021 Smartbox Assistive Technology

thinksmartbox.com





Grid Pad 12

HeadMouse Nano installation guide

The HeadMouse Nano mount enables you to access your Grid Pad 12 communication aid with your HeadMouse Nano pointer

Contents

1.	What is included	4
2.	Getting started	5
3.	The HeadMouse Nano	6
4.	Assembling the Nano enclosure.	8
5.	Mounting the HeadMouse Nano	10
6.	Device information	14
6.	Safety	15
7.	Warranty information	16
8.	FCC and CE notice	18
9.	Disclaimer	20
10.	Support	21



1

What is included

Your HeadMouse Nano mount may come by itself, or as part of a bundle with with the HeadMouse Nano camera.

The HeadMouse Nano mount is provided with:

- HeadMouse Nano camera (bundle only)
- 200 x target dots (bundle only)

- HeadMouse Nano enclosure
- Right angle USB 2.0 cable
- Switch port adapter
- 2 x Cable clips for USB
- Socket screwdriver (M3 HEX)
- Socket screwdriver (M4 HEX)
- Daessy mounting screws
- Rehadapt mounting screws
- Installation guide





Getting started

2

The HeadMouse Nano mount is designed to fit your Grid Pad 12 communication aid.

This guide covers

Assembling the HeadMouse Nano mount
Attaching the mount to your Grid Pad 12

The HeadMouse Nano mount bundle comes with the mount pre-assembled.

Tools required

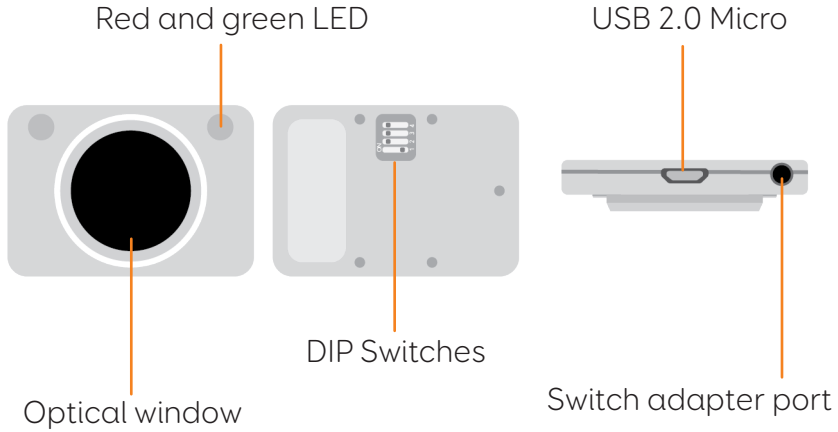
- Socket screwdriver (M3 HEX)
- Socket screwdriver (M4 HEX)
- Flat surface
- Cloth (optional)



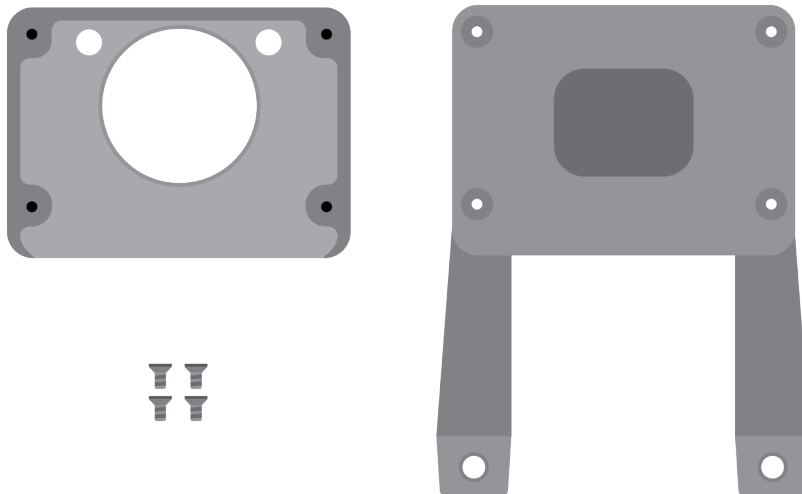
3

The HeadMouse Nano

HeadMouse Nano camera

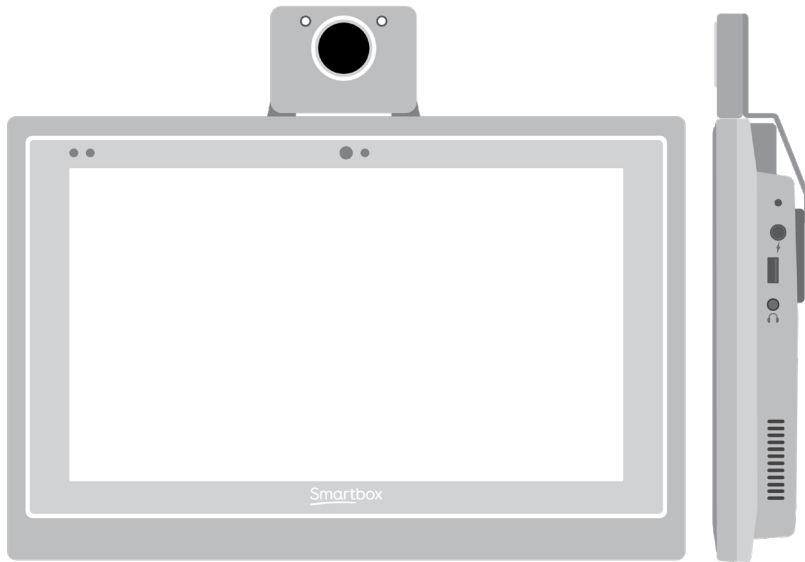


HeadMouse Nano mount





HeadMouse Nano mounted to Grid Pad 12



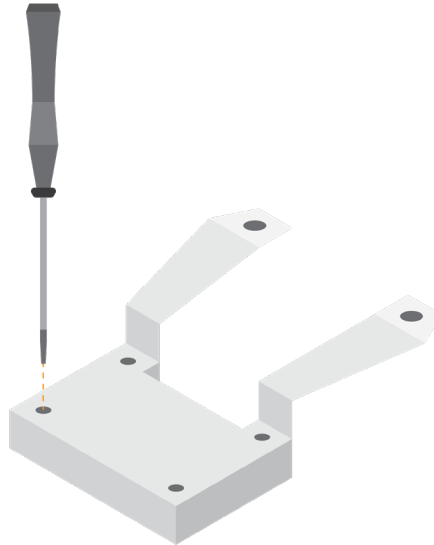


4

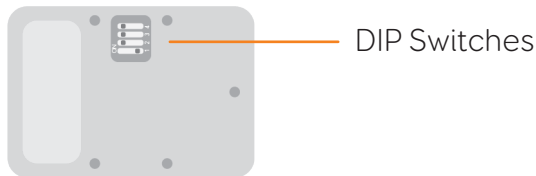
Assembling the Nano enclosure

If you already own a HeadMouse Nano, you will need to assemble the enclosure with the camera inside before mounting to your Grid Pad.

1. Remove the four screws using the supplied M3 screwdriver and remove the back of the mount.

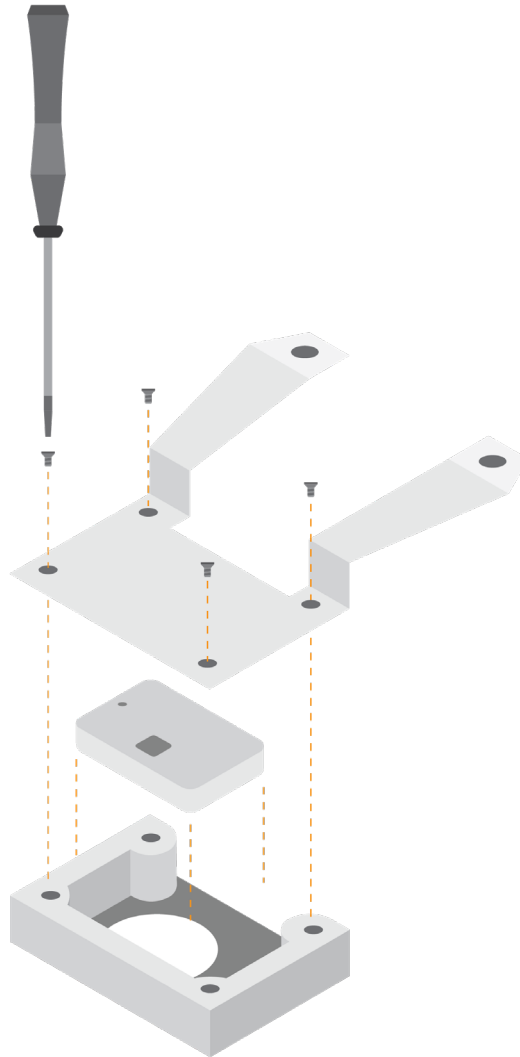


2. Configure the HeadMouse Nano cameras DIP Switches to your preferred settings. For more information on these see section 11.





3. Place the camera into the mount, ensuring the LEDs are aligned with the holes, and reassemble the enclosure.

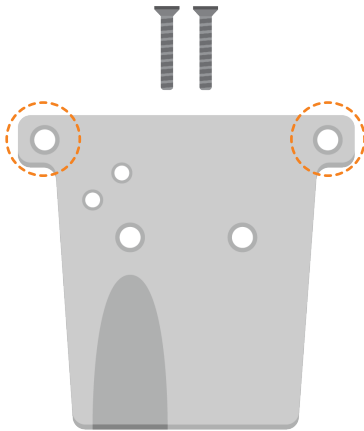




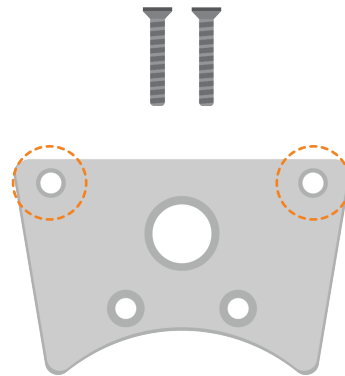
5

Mounting the HeadMouse Nano

1. Place your Grid Pad on a flat surface with the screen facing down.
2. Remove the top 2 screws on your Grid Pad mounting plate with the supplied M4 screwdriver.



Readapt



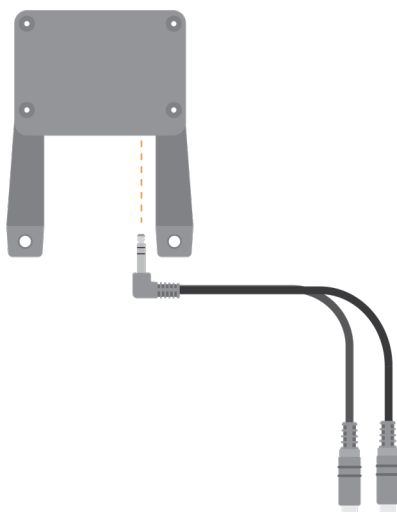
Daessy

3. Your HeadMouse Nano is supplied with 2 new screws for both Readapt and Daessy mounting plates. Select the appropriate screws for your mounting plate.





4. If you are planning to use the HeadMouse Nano switch ports (see section 9) plug in the 3.5mm adapter.



Switch port adapter



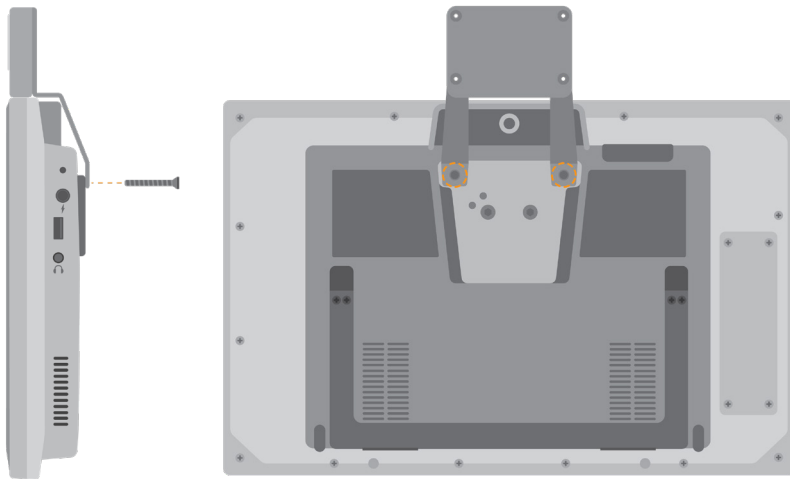
Micro USB 2.0

5. Plug the USB 2.0 cable into the HeadMouse Nano.

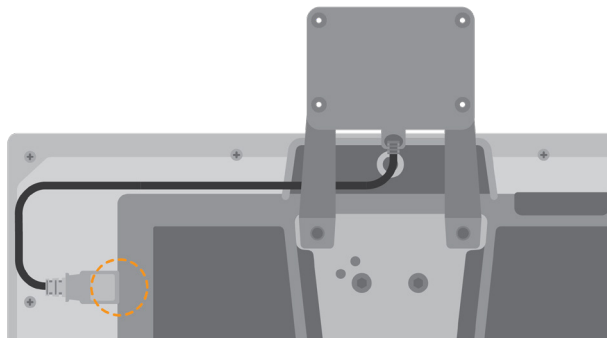




5. Line the HeadMouse Nano enclosure up with your mounting plate on the Grid Pad and use the screws provided to attach the enclosure to your Grid Pad.

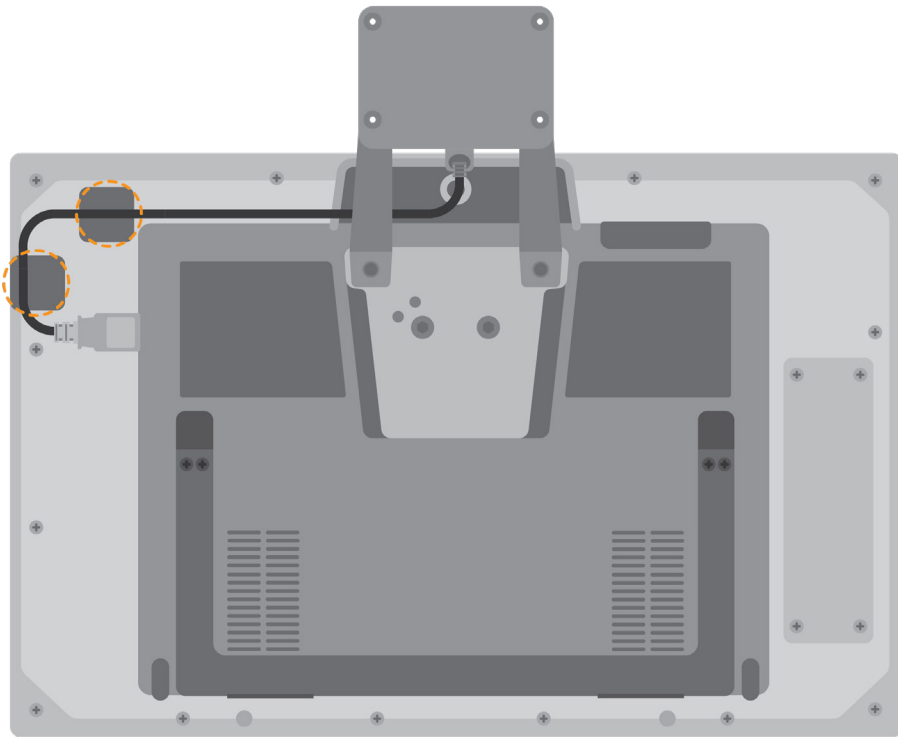


6. Run the USB 2.0 cable under the leg of the enclosure and plug it into the USB port on the left side of your Grid Pad.





7. (Optional) Use the cable clips to fix the USB cable to the back of your Grid Pad, to prevent it getting caught when moving the device. We have provided 2 cable clips with sticky adhesive backs.



8. Your Grid Pad is now ready to be used with the HeadMouse Nano. It will take a few moments to be detected. The front LED will light up once the HeadMouse is ready to be used.





6

Device information

Product name

HeadMouse Nano and mount

Description

The HeadMouse Nano is an infrared optical sensor that tracks side-to-side and up-and-down head movements. It then filters and transforms these movements to control the mouse pointer position on the screen of a computer, tablet or communication device.

The HeadMouse Nano uses infrared light to track a tiny reflective dot that is placed on the user's forehead or glasses.

Switches can be connected directly to HeadMouse Nano through a 3.5 mm stereo jack located next to the USB connector.

Technical specification

Operating wave band:	Near Infrared
Power consumption:	1/2 watt (typical)
Field of view:	72 degree by 45 degree
Measurement rate:	80Hz
USB interface:	Full speed





Safety

7

Durability

Do not pick up the Grid Pad by the HeadMouse Nano.

Water and liquids

The HeadMouse Nano is not protected against water ingress. Do not get water or liquids on the device.

Transporting your Grid Pad with the HeadMouse Nano

The HeadMouse Nano can remain attached to your Grid Pad when travelling.

Other safety

If damaged, small parts may detach from your Grid Pad and HeadMouse Nano mount. These can present a choking hazard. Young children and people with cognitive disabilities should be supervised when using the device.

The HeadMouse Nano is not sterile. Do not operate with open wounds, or whilst undergoing invasive medical treatments.

Disposal of the HeadMouse Nano and enclosure

Do not dispose of in general household or office waste. Your HeadMouse Nano and enclosure should be disposed of in accordance with local regulations for the disposal of electrical and electronic equipment.





8

Warranty Information

Origin Instruments warrants that HeadMouse Nano will be free from defects in materials and workmanship for a period of two years from the date of shipment. If the product proves defective during this warranty period, Origin Instruments will, at its option, repair or replace the defective product.

In order to obtain service under the foregoing warranties, the Customer must notify Origin Instruments of the defect prior to the expiration of the warranty period.

The foregoing warranties will not apply to any defect, failure, or damage caused by improper use, or improper or inadequate maintenance and care. Origin Instruments will not be obligated to furnish service under these warranties (a) to repair damage resulting from attempts by unauthorized personnel to install, repair, or service the product; (b) to repair damage resulting from improper use or connection to incompatible equipment; or (c) to service a product that has been modified or integrated with other products when the effect of such modification or integration increases the time or difficulty of servicing the product.

The foregoing warranties are given by Origin Instruments with respect to company products in lieu of any other warranties, expressed or implied. Origin Instruments disclaims any implied warranties of merchantability or fitness for a particular purpose. Origin Instruments' responsibility to repair or replace defective products is the sole and exclusive remedy provided to the customer for breach of any of these warranties.

Origin Instruments will not be liable for any indirect, special, incidental or consequential damages irrespective of whether





Origin Instruments has advance notice of the possibility of such damage.

Products no longer covered by warranty may be suitable for repair. Contact Origin Instruments for an estimated repair fee.

Before returning a product for repair, please send an email to: support@orin.com or call 972.606.8740 to request a Return Materials Authorization (RMA) Number. Once a RMA number is assigned, product must be returned postage pre-paid with all components to:

Origin Instruments Corporation
ATTN: Customer Service - RMA (insert your number)
854 Greenview Drive
Grand Prairie, TX 75050-2438 USA

For repairs during the warranty period, Origin Instruments will pay for the return of the product to the Customer if the shipment is to a location within the United States.

For non-warranty repairs and for warranty repairs outside of the United States, the Customer will be responsible for paying all shipping charges, duties, taxes, and any other charges associated with the return of the product.





FCC and CE notice

Products bearing the CE marking have been tested and are declared by Origin Instruments Corporation of 854 Greenview Drive, Grand Prairie, Texas 75050, USA to be in conformity with the following standards or other normative documents and following the provisions of the Electromagnetic Compatibility Directive, 89/336/EEC:

- EN 55022 Class B Emissions (Radiated Emission)
- EN 61000-4-2, Electrostatic Discharge Immunity
- EN 61000-4-3, Radiated Immunity

Origin Instruments Corporation has tested the HeadMouse Nano and found that it complies with the limits for a Class B digital device, pursuant to Part 15 of the FCC Rules. These limits are designed to provide reasonable protection against harmful interference in a residential installation.

Operation is subject to the following two conditions: (1) this device may not cause harmful interference, and (2) this device must accept any interference received, including interference that may cause undesired operation.

If this product is suspected of causing interference to a radio or television receiver, remove and apply power to the equipment and determine whether it is the cause of the disturbance. If a problem exists, the user is encouraged to try and correct the problem by one of the following measures:

1. Reorient or relocate the receiving antenna.
2. Increase the separation between the equipment and the receiver.





3. Reorient the equipment cables.
4. Consult the dealer or Origin Instruments for additional suggestions.

Information in this document is subject to change without notice and does not represent a commitment on the part of Origin Instruments Corporation.





Disclaimer

HeadMouse Nano is designed for use by people who have limited or no motor capability enabling USB mouse operations. However, it should not be used in an application where personal injury or property loss could occur if the HeadMouse Nano failed for some reason.

Origin Instruments products are not authorized for use as surgical aids or as part of a system intended to support or sustain life. The user assumes full responsibility for determining the suitability of the HeadMouse Nano for the intended application.





Support

11

Troubleshooting and Customer Support

In most cases, restarting your HeadMouse Nano will resolve many problems. To restart your HeadMouse Nano, disconnect and reconnect your Eye Gaze Unit USB Cable.

If this does not cure the problem restart your device. To restart your device, Select **Start** and then select **Power > Shut down**. Or if your device has crashed, hold down the power button or remote power button for 5+ seconds to hard reset. Press it again to turn it back on.

If this does not fix the problem, contact support at:

thinksmartbox.com/smart-support





Notes





A series of 13 horizontal lines spaced evenly down the page, providing a grid for writing or drawing.





Grid Pad

Smartbox

thinksmartbox.com

Headmouse Nano Mount - Grid Pad 12 - Guide - UK - B

