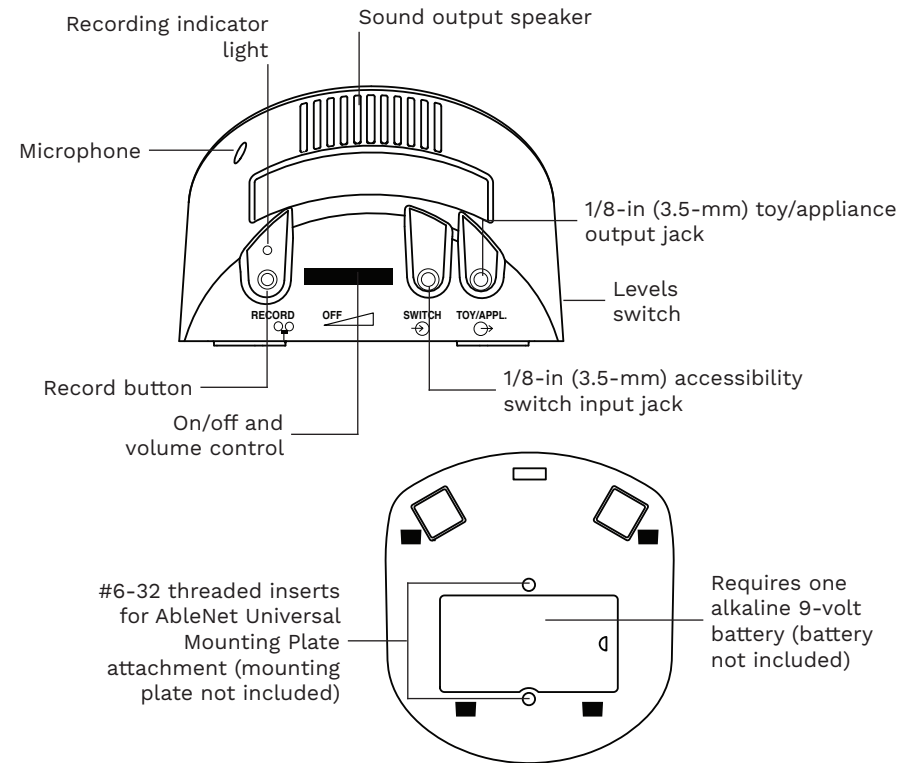
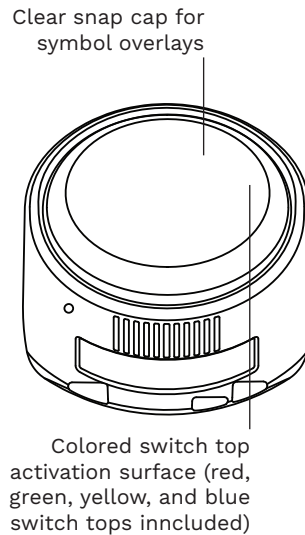


AbleNet®

Quick Start Guide LITTLE Step-by-Step™ communication device

www.ablenetinc.com

Updated: April 22, 2020 2:23 PM



Getting Started

1. Add one alkaline 9-volt battery to device (battery not included). To open battery door, rotate D-ring counterclockwise and lift up. To lock battery door, rotate D-ring clockwise.
2. Turn device on
3. Select desired level
4. Press and hold record button until recording indicator light turns on
5. Press and hold colored switch top. Begin speaking into microphone after you hear beep.
6. When done recording message, release colored switch top
7. Repeat steps 5 and 6 to record additional messages.
8. Press the record button to turn the recording indicator light off
9. Adjust volume as needed
10. Your device is ready to use

Change Colored Switch Tops

1. Remove clear snap cap
2. Rotate colored switch top counterclockwise to remove and rotate clockwise to tighten.
3. Re-attach clear snap cap

Picture Symbol Overlays

A picture symbol can be placed under the clear snap cap to give additional context to what will happen when the colored switch top is activated. Symbol overlays should fit within a 2-in (5-cm) circle area.

Play Message With an Accessibility Switch

1. Plug an AbleNet accessibility switch with 1/8-in (3.5-mm) switch plug into the accessibility switch input jack on the device
2. Activate the accessibility switch to play the message on the device

Repeating a Message

1. Play message you want repeated
2. Press record button one time after the desired message has ended
3. The same message will repeat when the colored switch top is activated
4. To continue to the next message, press record button one time

Activate Switch Adapted Toys or Appliances

1. While recording a message, press the record button one time to assign the toy/appliance to that message
2. Plug your toy or appliance into the 1/8-in (3.5-mm) toy/appliance output jack on the device. Some toys or appliances may require the included plug-to-plug adapter to be used to connect to the device.
3. The toy or appliance will activate as long as the message is playing.

Note: Some electrical appliances will require a PowerLink to be activated.