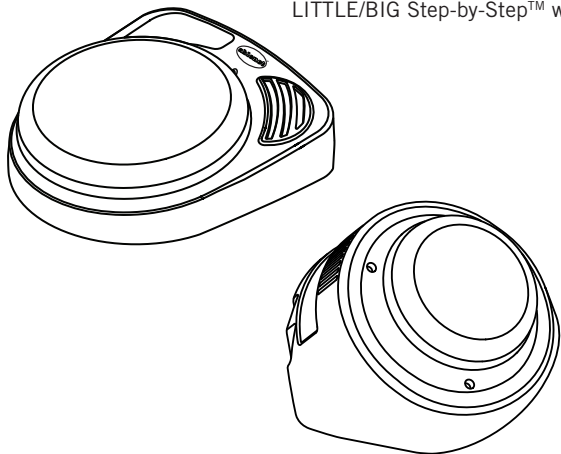


Quickstart Guide: BIG Step-by-Step™ and LITTLE Step-by-Step™ communicators

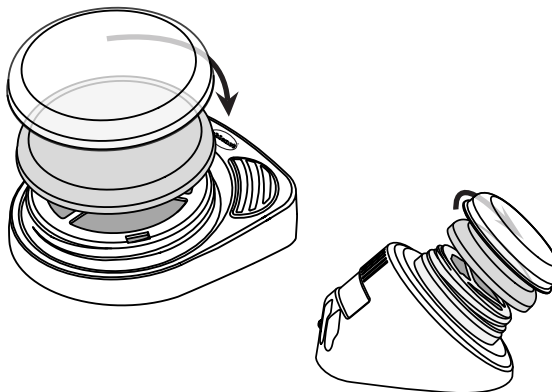
LITTLE/BIG Step-by-Step™
LITTLE/BIG Step-by-Step™ w/Levels



AbleNet®

www.ablenetinc.com

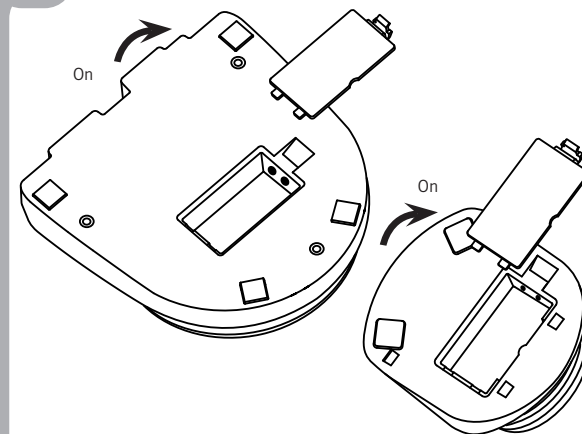
1 Choose your Switch Color



Firmly, rotate the colored switch top counter-clockwise to remove. Attach a new color by rotating the cap clockwise until it stops.

A Snap Switch Cap is included with your BIG or LITTLE Step-by-Step. Place a picture or symbol on the switch top, and secure by snapping your Switch Cap over it.

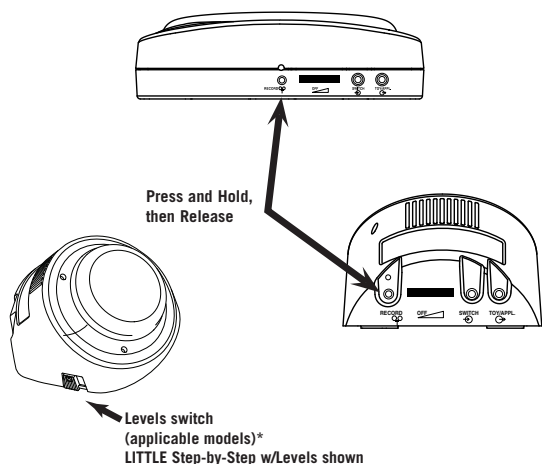
2 Insert Batteries and Turn On



Connect one 9-volt battery at the bottom of the device. Rotate the Volume ON/OFF knob to turn the device on.

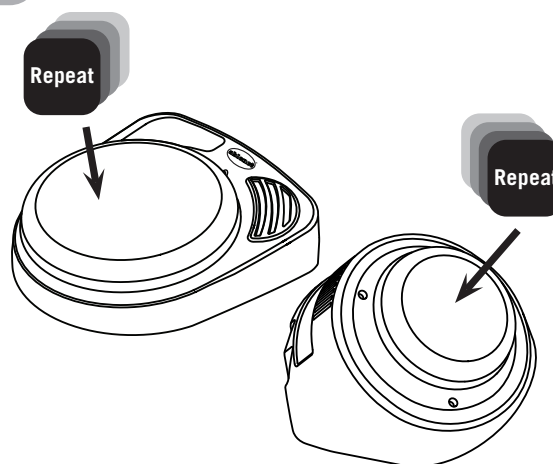
The LITTLE Step-by-Step includes a detachable Mounting Base that must be removed to access the battery door. Press the tab and slide to remove the base.

3 Select Level / Enter Record Mode



Select Desired level (applicable models) using the Level switch on the side of the device. Press and Hold the RECORD button until the RECORD Light activates, then release.

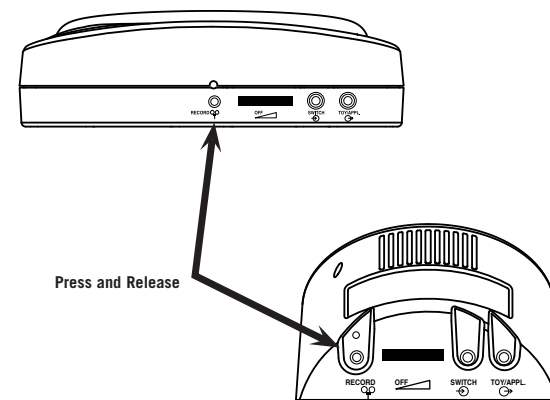
4 Record a Series of Messages



Press and Hold the switch top, begin speaking when you hear a beep. Release when finished. Repeat for additional messages in a sequence.

Note: RECORD Light will flash while recording.

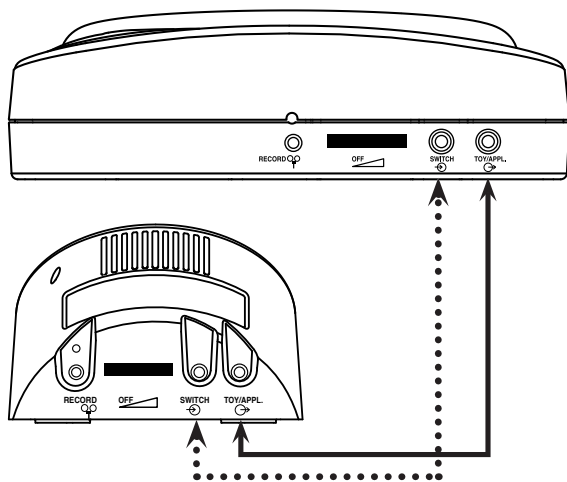
5 Exit Record Mode



Press and Release the RECORD button to exit Record Mode. Your BIG or LITTLE Step-by-Step is ready for use.

NOTE: Depending on your model, your device will have either 2 minutes or 4 minutes of recording time. The RECORD light will turn yellow and flash when only 10 seconds of recording time remains.

Advanced Features



Playing a message with an External Switch

Attach the switch of your choice with a 1/8-inch (3.5mm) plug into the switch input jack. (Jacks indicated with ●●●●●)

Controlling Toys or Appliances

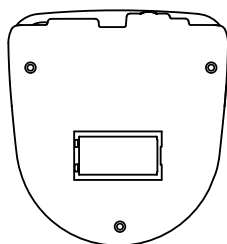
While recording a message, press the Record Button one time (1x) to assign a Toy/Appliance to that message. When that message is played, an attached toy or appliance will activate for the length of the recorded message. (Jacks indicated with ———)

NOTE: To control an electrical appliance, a PowerLink® is required. For information about adapting toys and appliances, visit www.ablenetinc.com

Repeating a Message

1. Play the message you want repeated.
2. Press the Record Button one time after the message has ended
The same message will repeat with each activation of the Switch Top
3. To continue to the next message, press the Record Button one time (1x).

Mounting Options



Mounting BIG Step-by-Step

BIG Step-by-Step can be mounted using the Universal Mounting Plate* and a variety of mounting systems. Screw the mounting plate into place using the three holes shown at left.

Working with the Mounting Base and LITTLE Step-by-Step

Release the base by pressing the quick release tab on the mounting base and sliding towards the back of the device.

Attach the base by aligning the four posts on the Base with the corresponding holes on LITTLE Step-by-Step. Slide the base forward until it clicks.

For a temporary mount, use a #8 pan head screw and the two vertical slots on the Mounting Base. (Figure A)

For permanent mounting, screw the mounting base into place with the three holes shown at left. (Figure B)

**Additional mounting options available at www.ablenetinc.com*

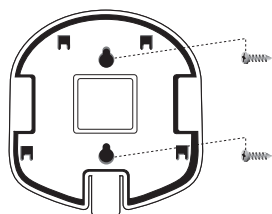


Fig. A

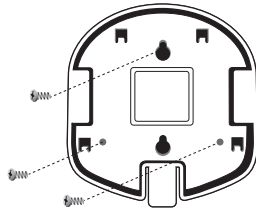
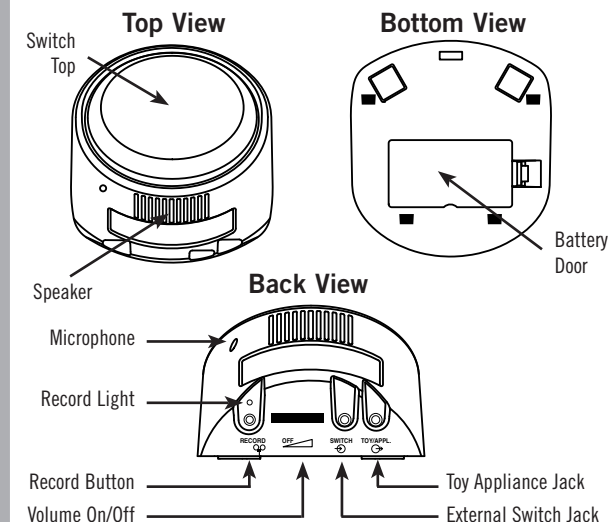
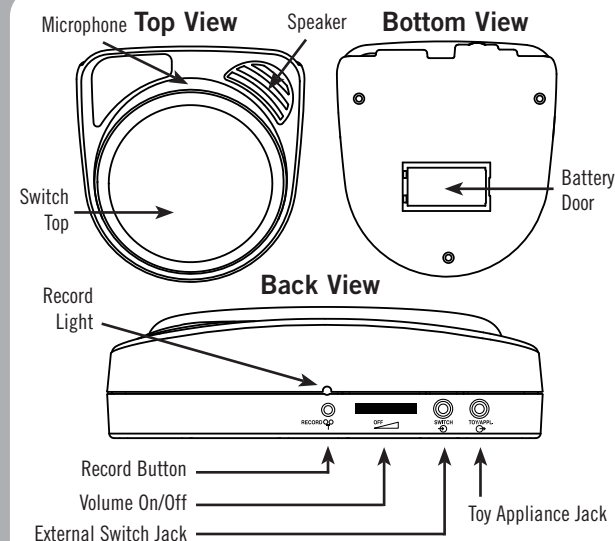


Fig. B

Product Map and Warranty



Warranty/Repair/Return Information

AbleNet offers a limited two-year warranty on the BIG Step-by-Step and LITTLE Step-by-Step communicator products. For full warranty details, visit www.ablenetinc.com

For more information on AbleNet products and services:

AbleNet, Inc.,
Minneapolis/St. Paul, MN
800-322-0956 (US & Canada)
Internet: www.ablenetinc.com
© 2007 AbleNet, Inc., All Rights Reserved