

ASSEMBLY INSTRUCTION

Name: FS-VarioLock QuickPack

Model Number: #17.1063

Instruction ID: #00.556_C

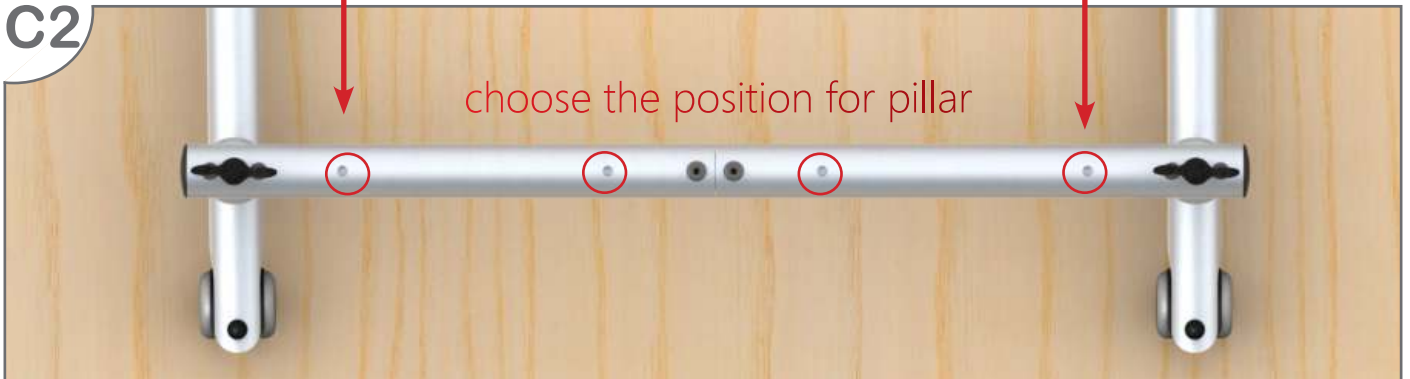
A1



B1



C2



1



2

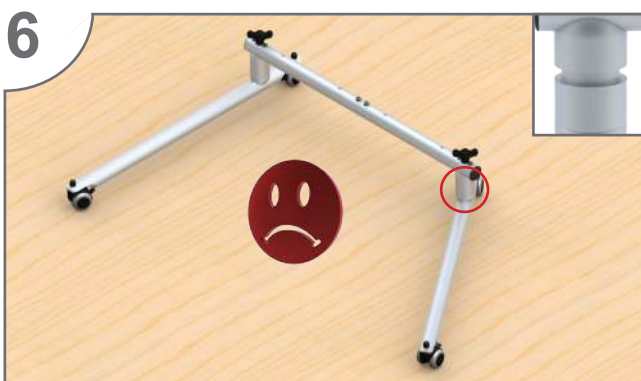
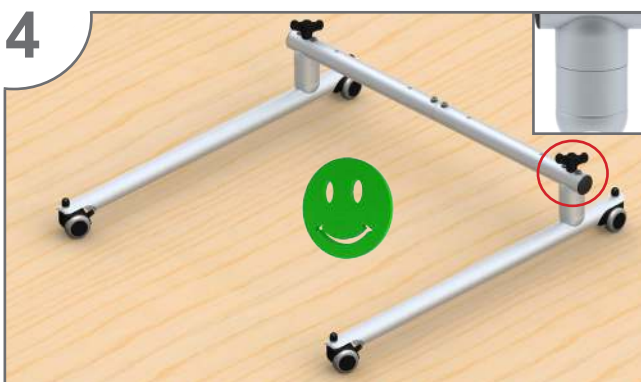
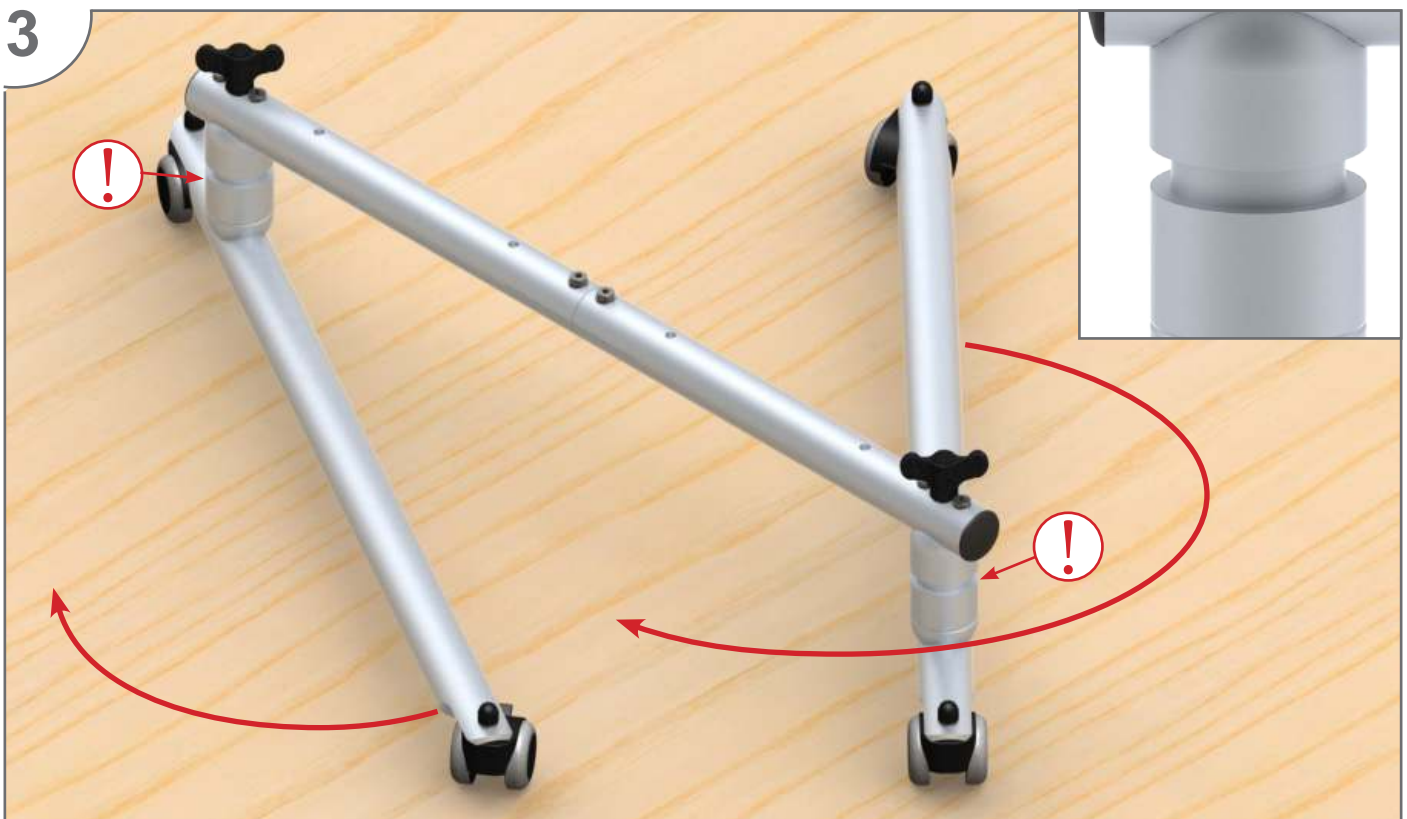


ASSEMBLY INSTRUCTION

Name: FS-VarioLock QuickPack

Model Number: #17.1063

Instruction ID: #00.556_C

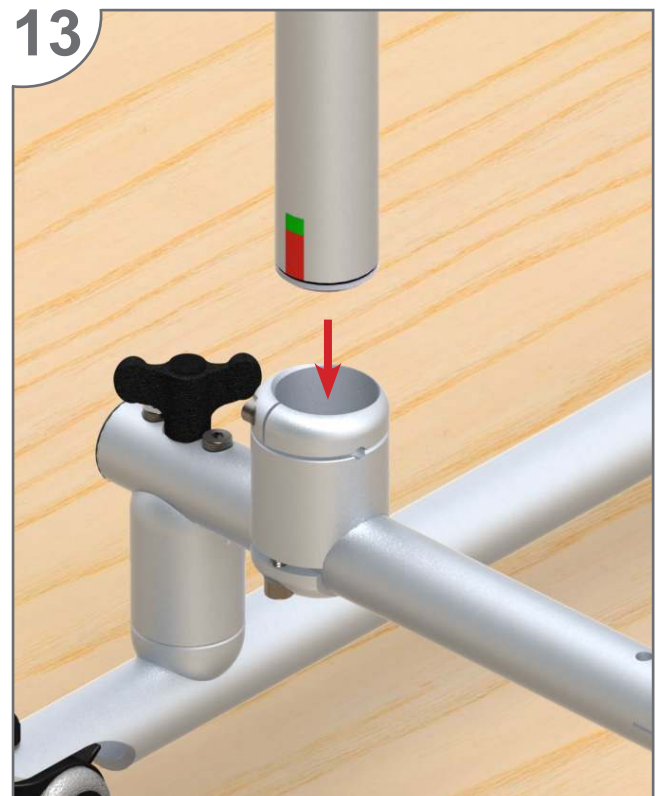
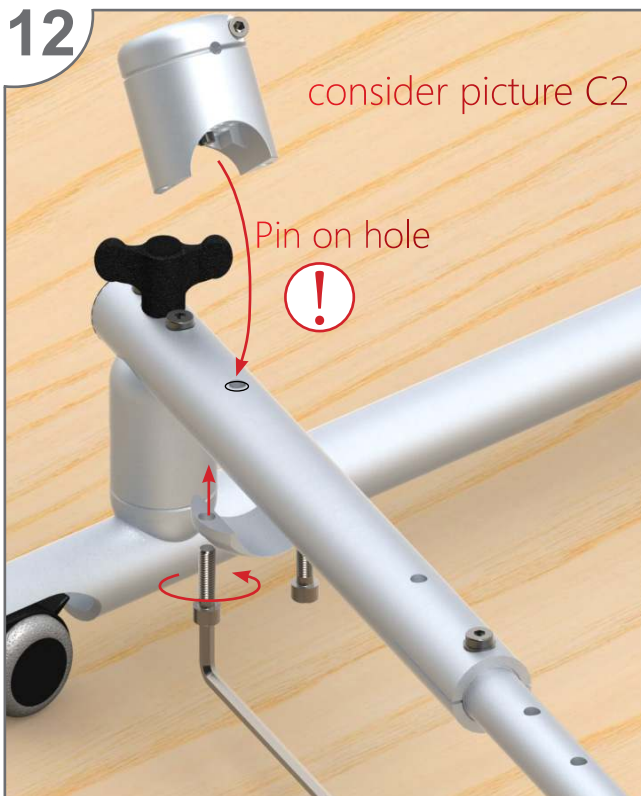
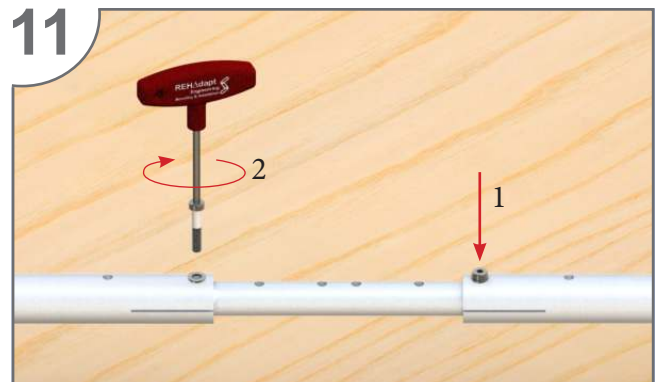
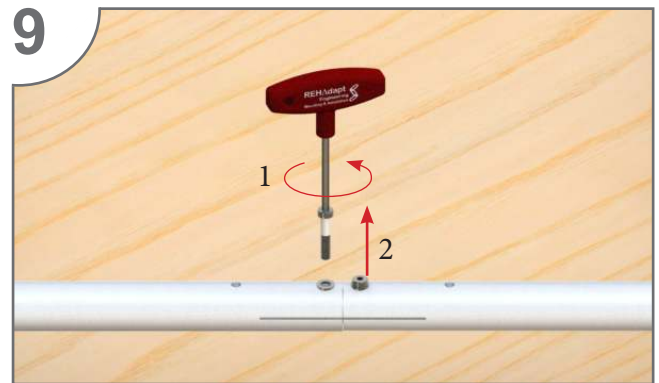


ASSEMBLY INSTRUCTION

Name: FS-VarioLock QuickPack

Model Number: #17.1063

Instruction ID: #00.556_C

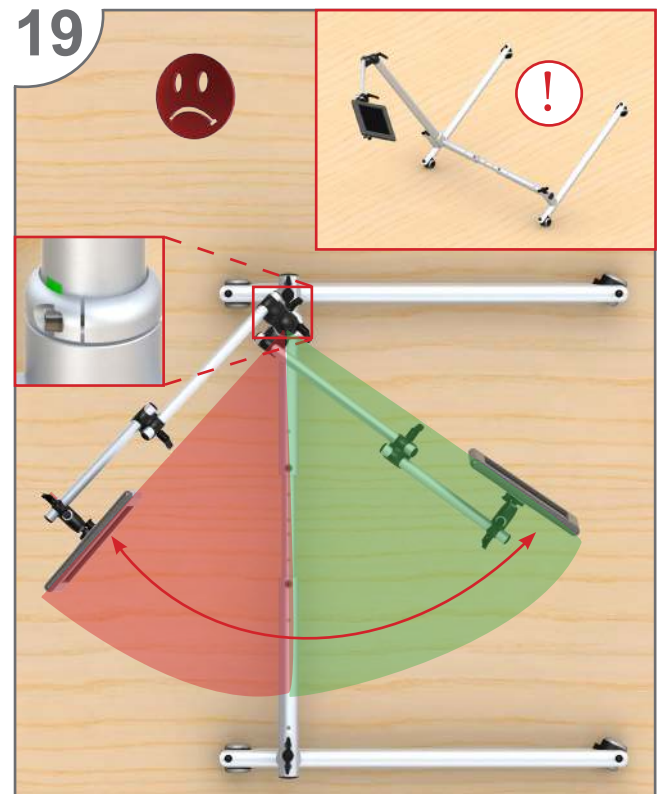
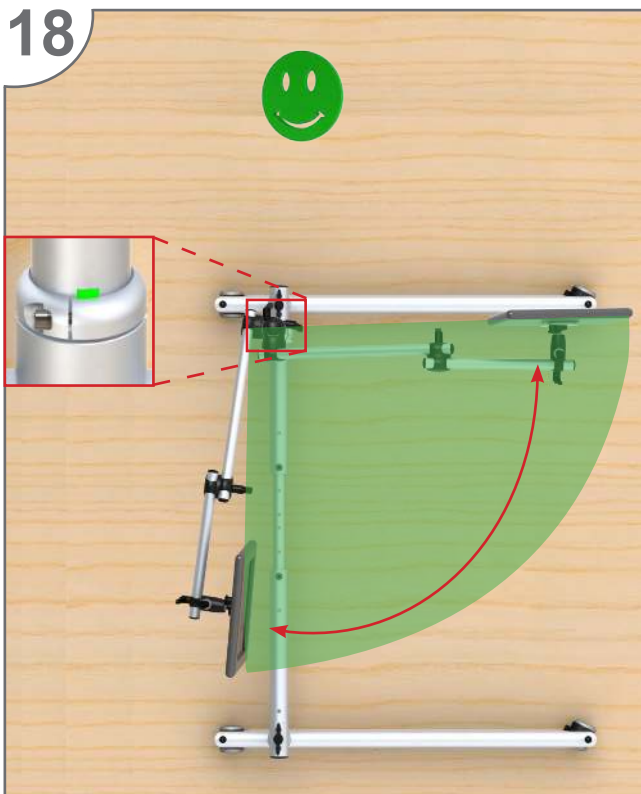
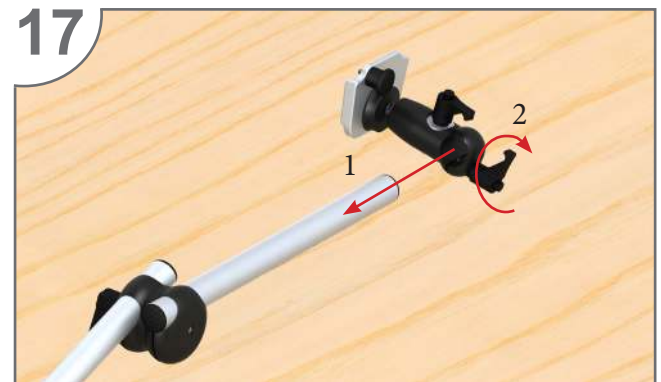
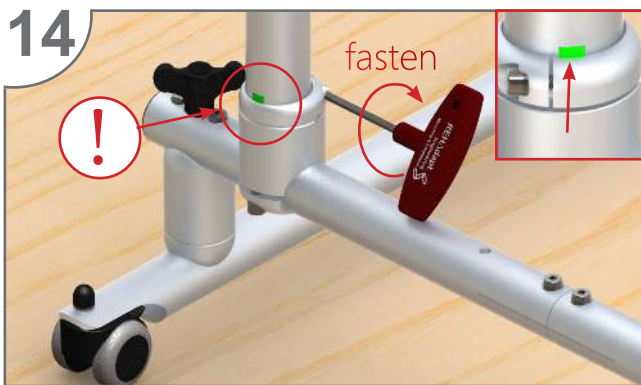


ASSEMBLY INSTRUCTION

Name: FS-VarioLock QuickPack

Model Number: #17.1063

Instruction ID: #00.556_C



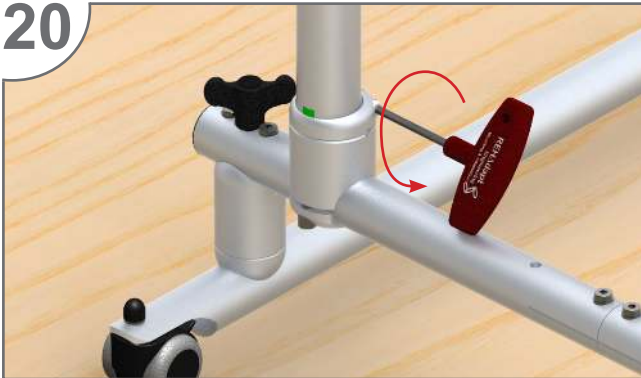
ASSEMBLY INSTRUCTION

Name: FS-VarioLock QuickPack

Model Number: #17.1063

Instruction ID: #00.556_C

20



21



22



23



24

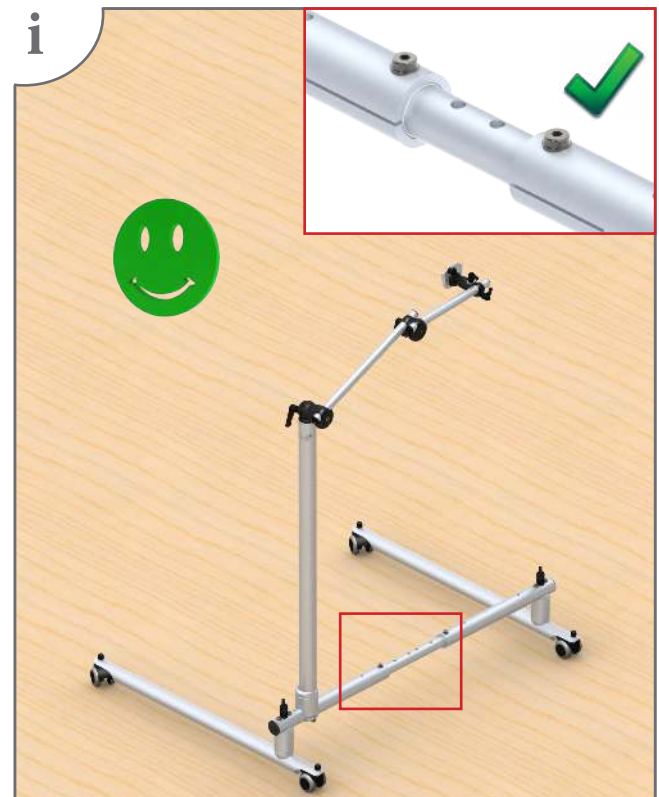
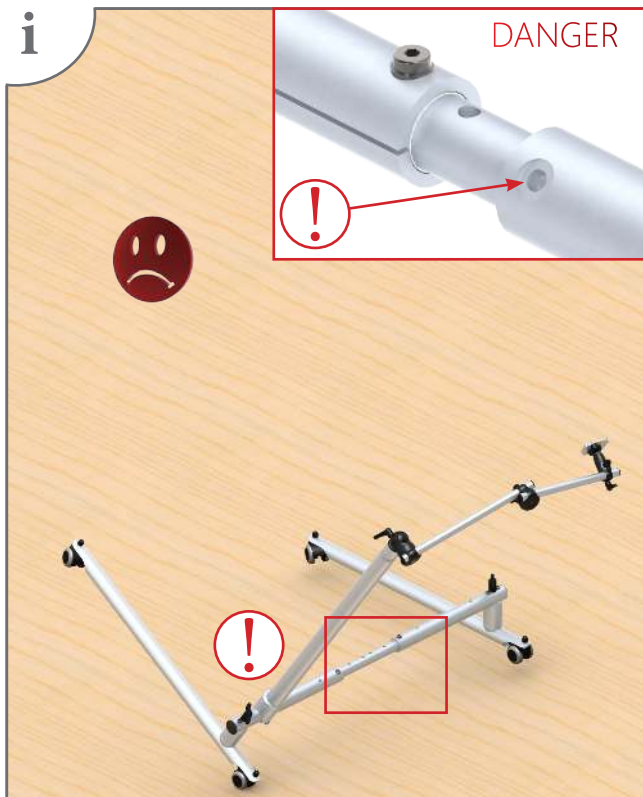


ASSEMBLY INSTRUCTION

Name: FS-VarioLock QuickPack

Model Number: #17.1063

Instruction ID: #00.556_C



----- Telescope Pole -----



ACHTUNG!

BETÄTIGUNG/
VERSTELLUNG JEDLICHER
GELENKE NUR MIT
ABGENOMMENEM GERÄT!

**BITTE GERÄT VORHER
ABNEHMEN!**



ATTENTION!

DO NOT ADJUST/OPERATE
ANY HINGE WITH DEVICE
MOUNTED!

**TAKE OFF DEVICE BEFORE
ADJUSTING, PLEASE!**